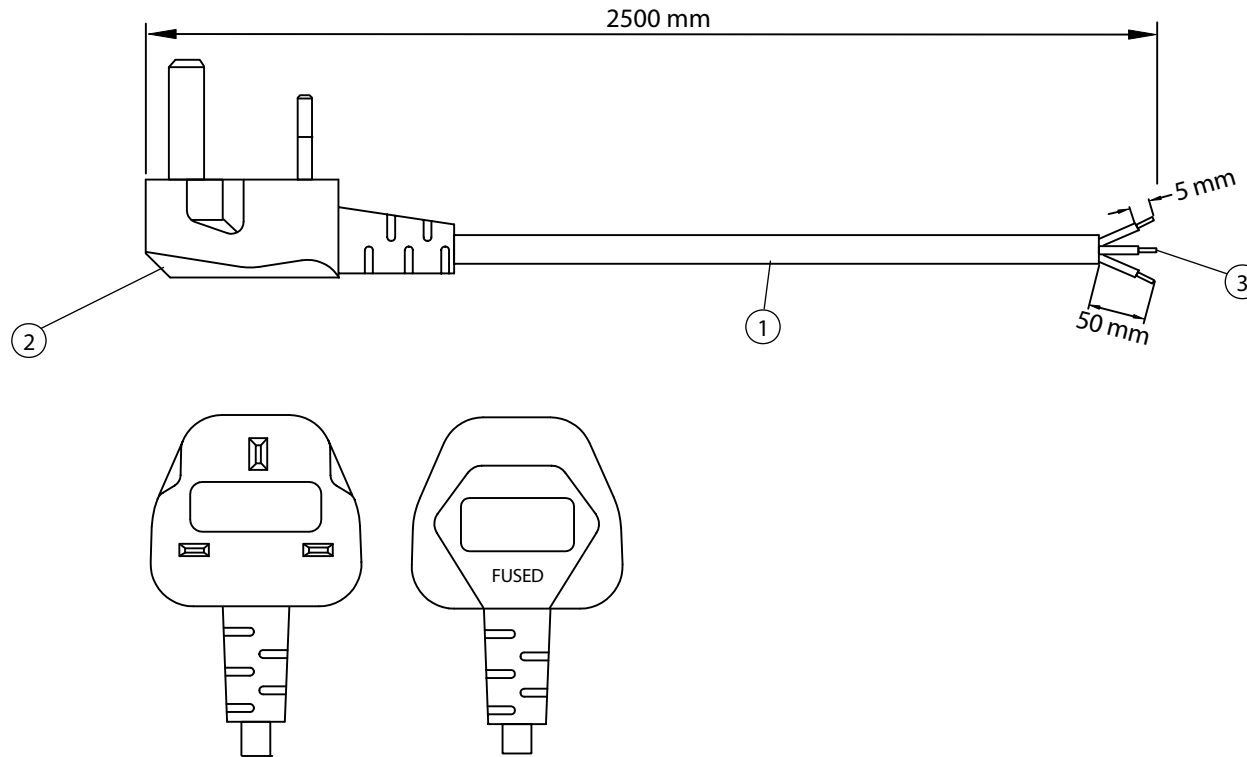


THESE DRAWINGS ARE THE PROPERTY OF QUALTEK ELECTRONICS AND NOT TO BE REPRODUCED FOR OR COMMUNICATED TO A THIRD PARTY WITHOUT THE EXPRESS WRITTEN PERMISSION OF AN OFFICER OF QUALTEK ELECTRONICS.

| REVISION |                 |          |          |
|----------|-----------------|----------|----------|
| REV.     | DESCRIPTION     | DATE     | APPROVED |
| B        | RoHS Compliancy | 06-01-06 | DP       |
| C        | Notes Update    | 05-15-08 | DP       |
|          |                 |          |          |



**CONTROLLED**

NOTES:

- CORDAGE: HO5VV-F, 3x1.00mm, UNSHIELDED  
CEE COLOR CODE, TEMP. RATING 70°C  
RATING: 250V 10A, JACKET COLOR: BLACK
- PLUG END: UNITED KINGDOM BS1363A WITH 13 AMP FUSE
- OTHER END: ROJ 50mm, STRIP 5mm
- APPROVALS: UNITED KINGDOM, BSI
- ROHS COMPLIANT

| Dim range (mm) | Tolerance +/- (mm) | Qualtek Electronics Corp.<br>PPC DIVISION |                |  |
|----------------|--------------------|---|----------------|--|
|                |                    | Part Number:                              | 369003-E01     | <span style="border: 1px solid green; padding: 2px;">RoHS Compliant</span> |
| 0-1            | 0.15               | Description: POWER CORD                   |                |  |
| 1-6            | 0.20               |   | UNIT: mm       | REV. C   |
| 6-18           | 0.30               |   |                |  |
| 18-50          | 0.50               |   |                |  |
| 50-120         | 0.70               | Drawn / Date                              | Checked / Date | Approved / Date  |
| 120-250        | 0.90               | K.Huang<br>09-21-98                       | 09-21-98       | JJH / 09-21-98   |
| 250-500        | 1.20               |   |                |  |